



INSTALLATION INSTRUCTIONS

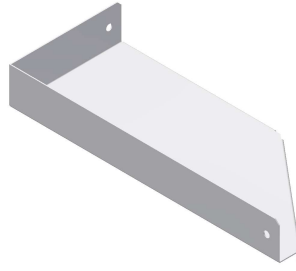
2018+ JL Wrangler Tailgate Lockbox #349

Please read and fill out the enclosed warranty registration card or register online at tuffyparts.com/warrantyreg.aspx to activate your warranty.

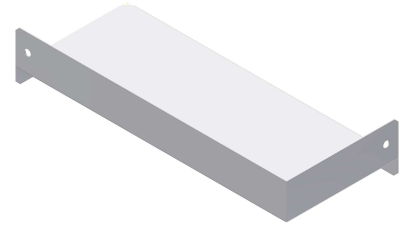
PARTS CHECKLIST



LOCKBOX #349



#8 REMOVABLE SHELF (RIGHT)



#9 REMOVABLE SHELF (LEFT)

SHIPPING PACKAGE CHECKLIST



#11.1 (2) 1/2" x 1 3/16" SPACER



#11.2 (2) 1/2" x 1 3/4" SPACER



#11.3 (2) 1/2" x 1 1/16" SPACER



#11.4 (2) M6 x 50mm(2") CAP SCREW



#11.5 (2) M6 x 60mm(2 3/8") CAP SCREW



#11.6 (4) 1/4" LOCK WASHER



#11.7 (4) 1/4" FLAT WASHER



#11.8 (2) #10-32 x 3/16" SCREW

Tools needed for standard installation

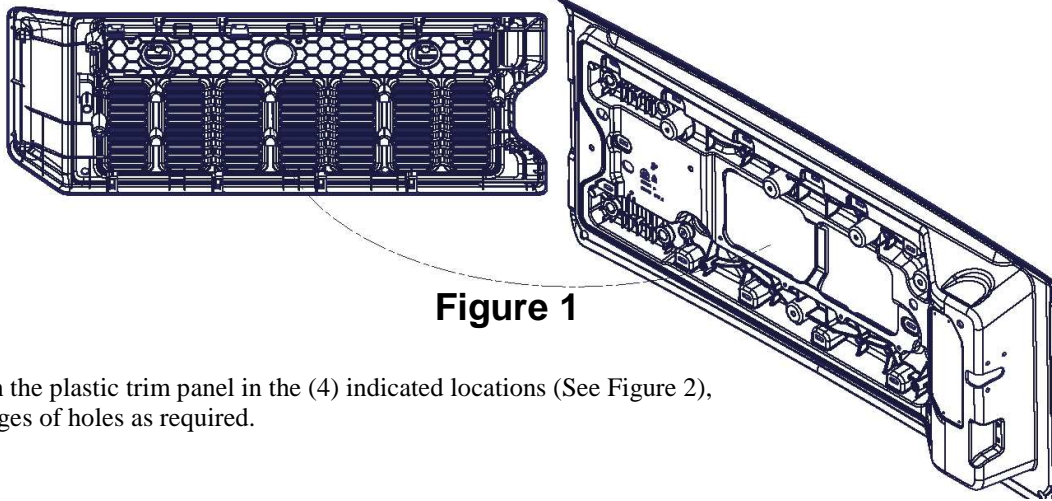
- Panel Removal Tool
- 13mm Drill Bit and Drill
- 5/32(4mm) Allen Wrench
- Torque Wrench
- Phillips Head Screwdriver
- T-40 Torx Driver

PLEASE READ ALL INSTRUCTIONS THOROUGHLY BEFORE STARTING INSTALLATION.

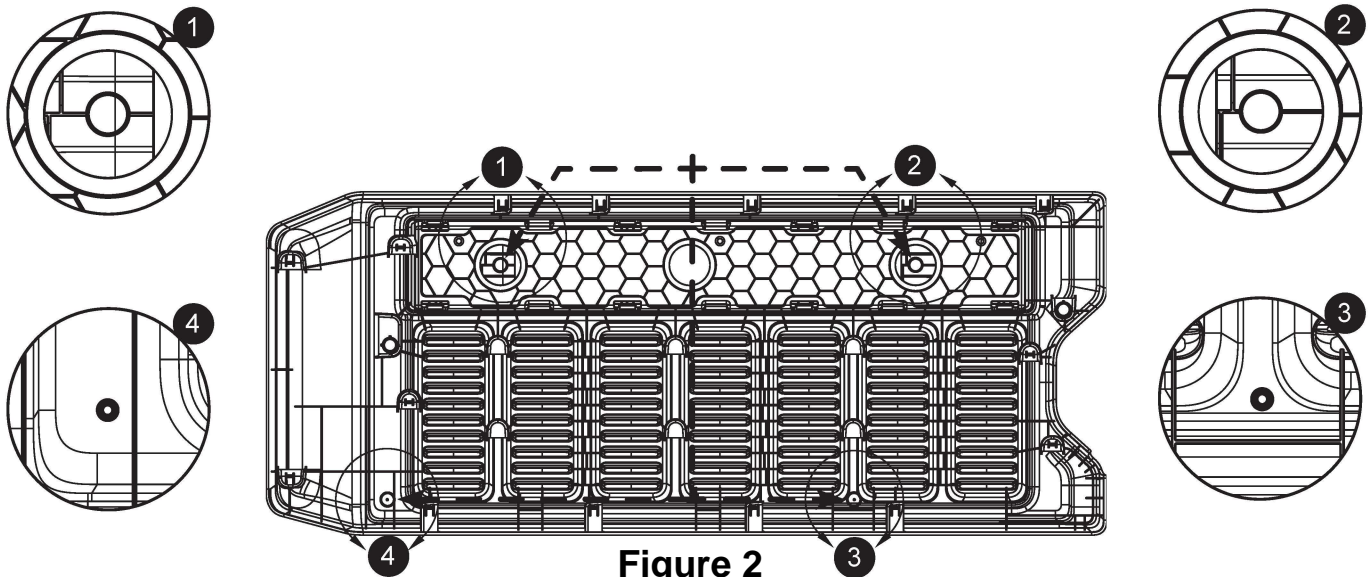
1. Remove all the contents from the shipping box and confirm that you have all the items listed above.

For TrailRail equipped vehicles skip to Step #9

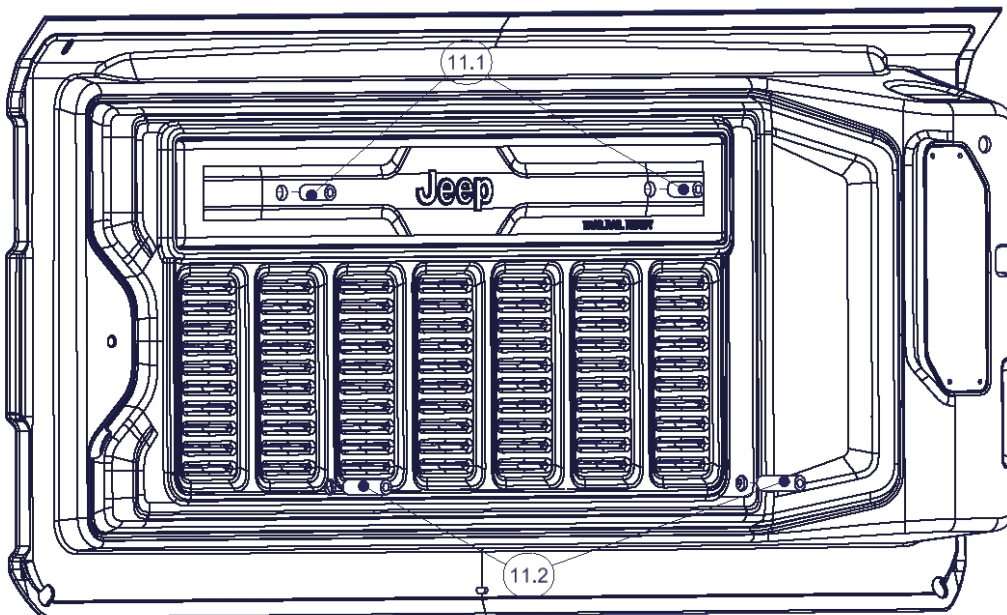
- Open the tailgate and remove the trim panel from the inner surface. See Figure 1



- Drill through the plastic trim panel in the (4) indicated locations (See Figure 2), and clean edges of holes as required.



- Replace the trim panel onto the vehicle tailgate.
- Place the (2) #11.1 Spacers in the upper holes and the (2) #11.2 Spacers in the lower holes. See Figure 3.



6. While holding the #349 Lockbox in place, insert the mounting hardware through the mounting holes of the Lockbox in the sequence shown in Figure 4. #11.4 Screws (2") are used in the upper mounting holes, and #11.5 Screws (2 3/8") in the lower holes. **NOTE: This step is most easily accomplished with help, or another means of supporting the lockbox at the correct elevation.**

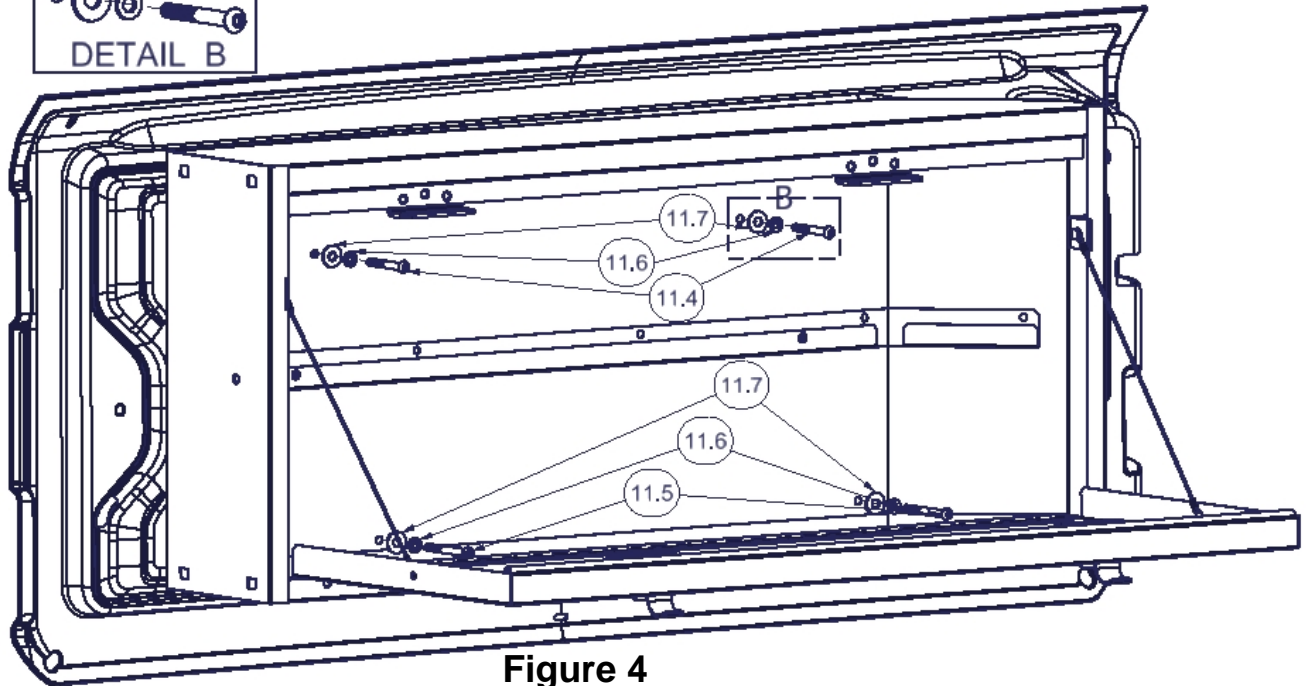


Figure 4

7. Tighten mounting hardware to 8 ft-lbs(10 N-m).
8. Install the removable shelves (#8 and #9) by placing the short flanges into the slotted rail that lines the back of the Lockbox. The (2) #11.8 Screws may then be installed and tightened to hold the trays in place during travel. See Figure 5.
CAUTION: Overtightening of the #11.8 Screws will spread the slot and make it ineffective for holding the shelves in future installations.
NOTE: To remove shelf/shelves loosen the #11.8 Screw and lift shelf out of slot.

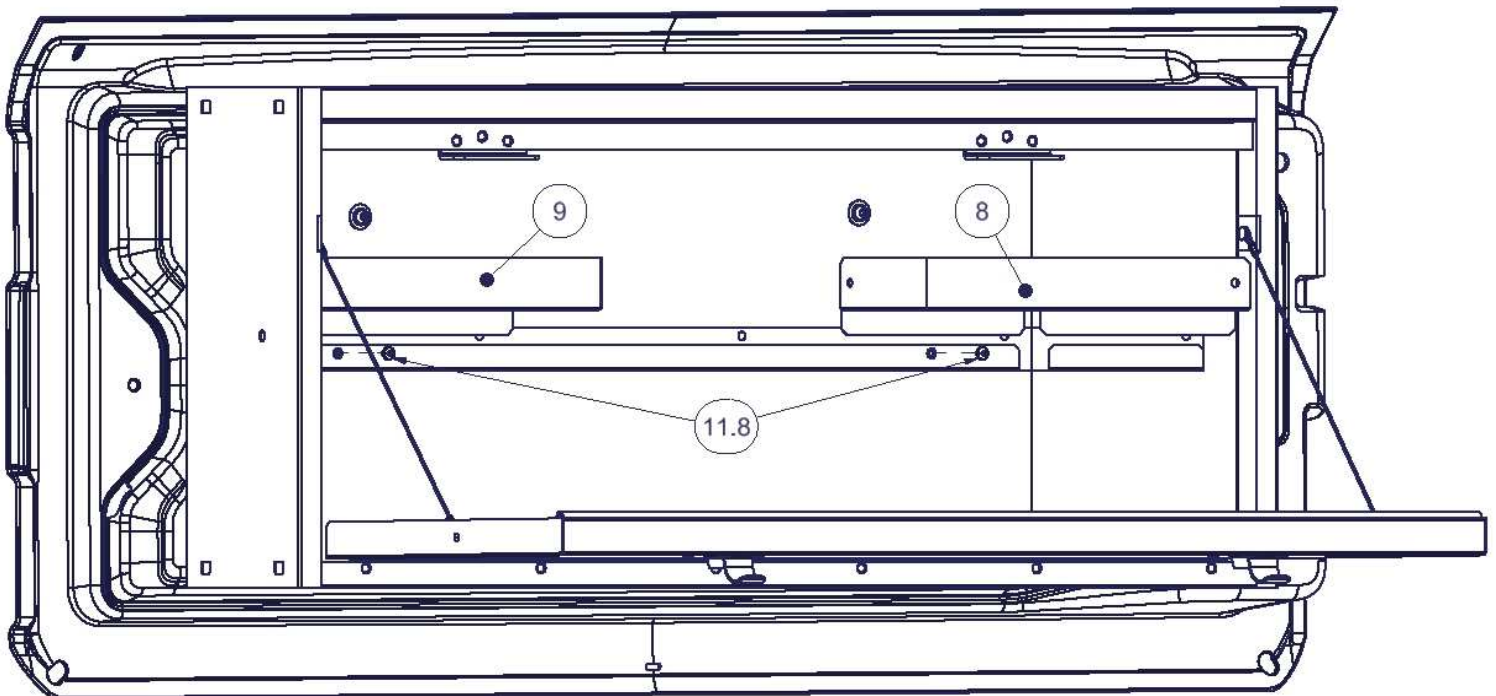


Figure 5

CAUTION: Lid may be used as a table but should not be loaded beyond 40lbs (18 kg), replacement cables are available from Tuffy Security Products.

For TrailRail Equipped Vehicles Begin Here

9. Open the tailgate and remove the (3) OEM screws that hold the TrailRail in place. See Figure 6.

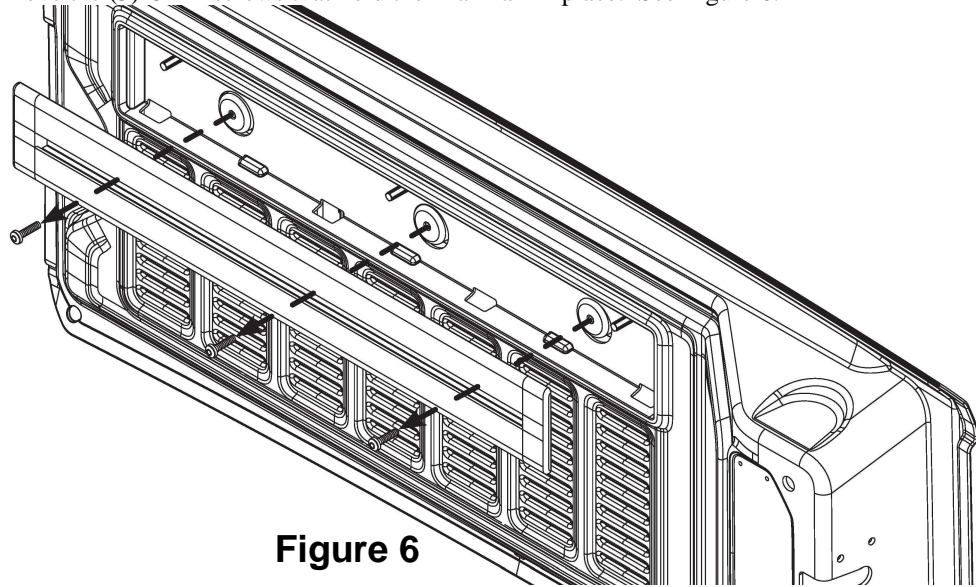


Figure 6

10. Remove the trim panel from the inner surface. See Figure 7

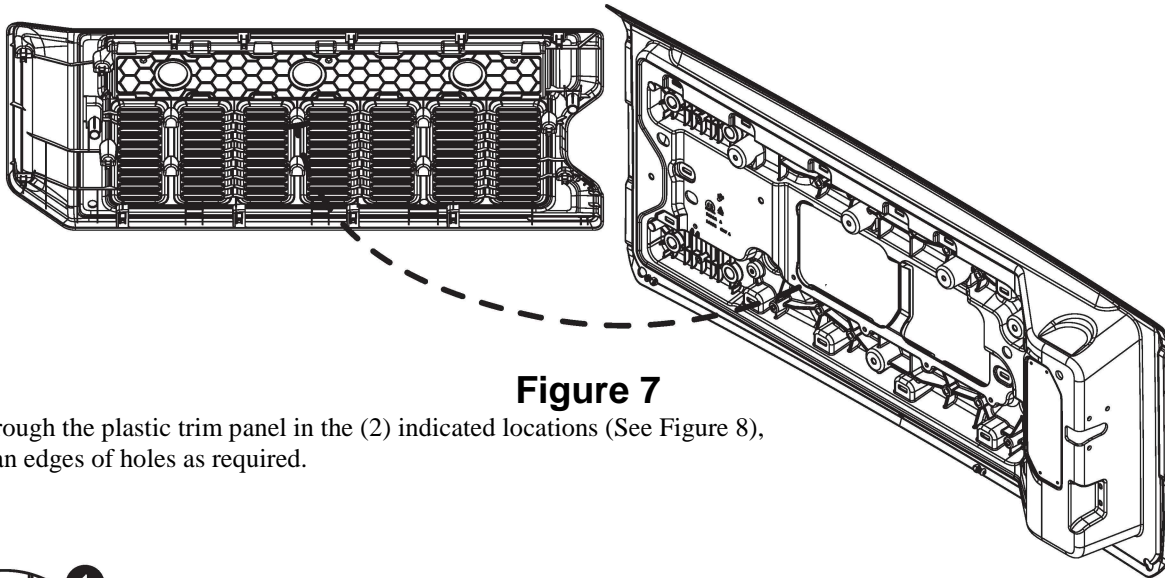


Figure 7

11. Drill through the plastic trim panel in the (2) indicated locations (See Figure 8), and clean edges of holes as required.

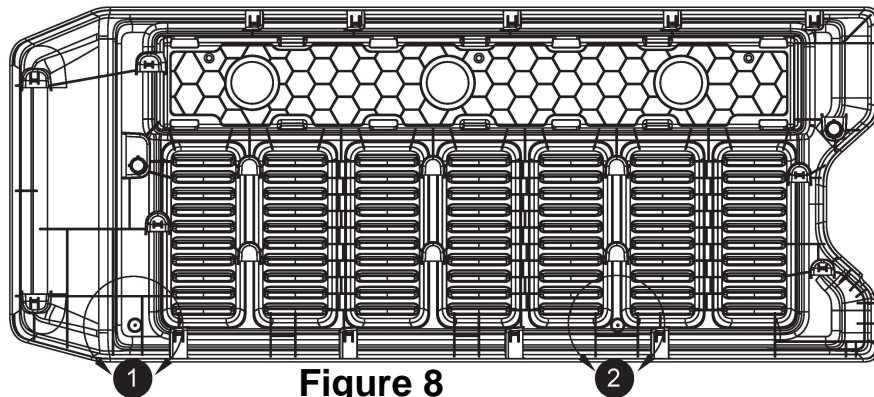
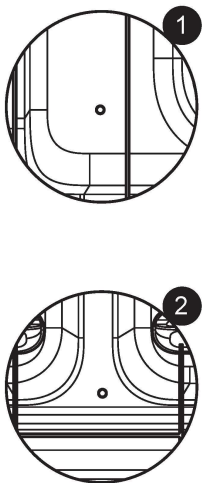


Figure 8

12. Replace the trim panel onto the vehicle tailgate and install the TrailRail using only the center OEM mounting screw. See Figure 9

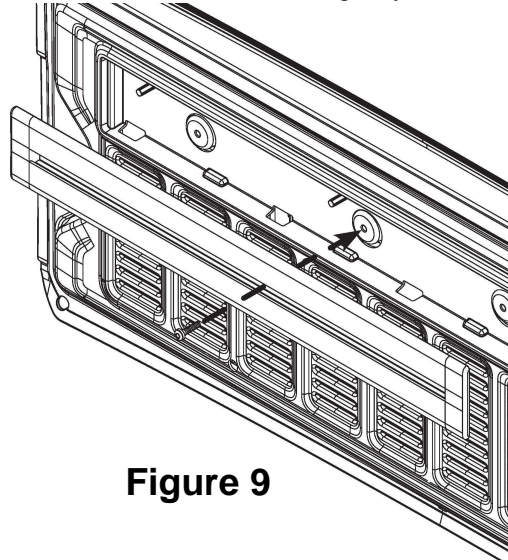


Figure 9

13. Place the (2) #11.3 Spacers in the TrailRail slot over the threaded mounting holes and the (2) #11.2 Spacers in the lower holes. See Figure 10.

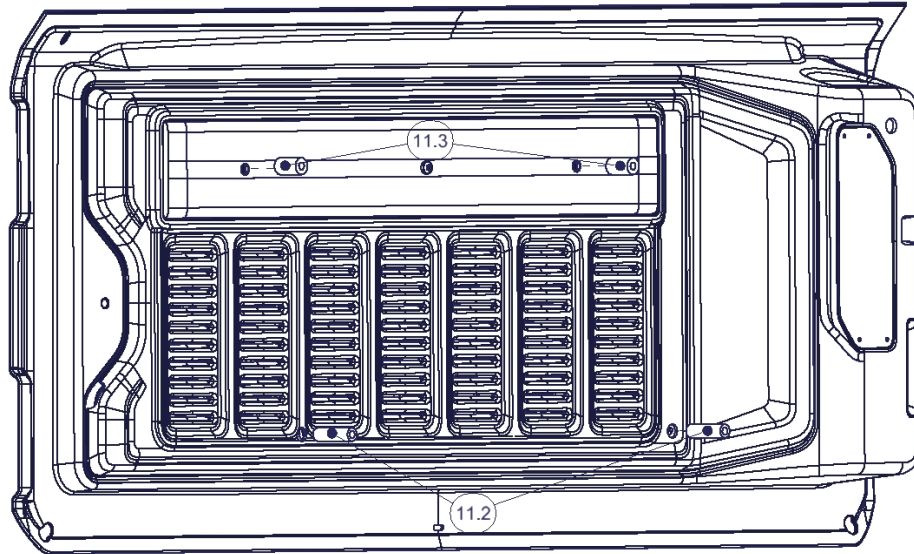


Figure 10

14. While holding the #349 Lockbox in place, insert the mounting hardware through the mounting holes of the Lockbox in the sequence shown in Figure 11. #11.4 Screws (2") are used in the upper mounting holes, and #11.5 Screws (2 3/8") in the lower holes. **NOTE: This step is most easily accomplished with help, or another means of supporting the lockbox at the correct elevation.**

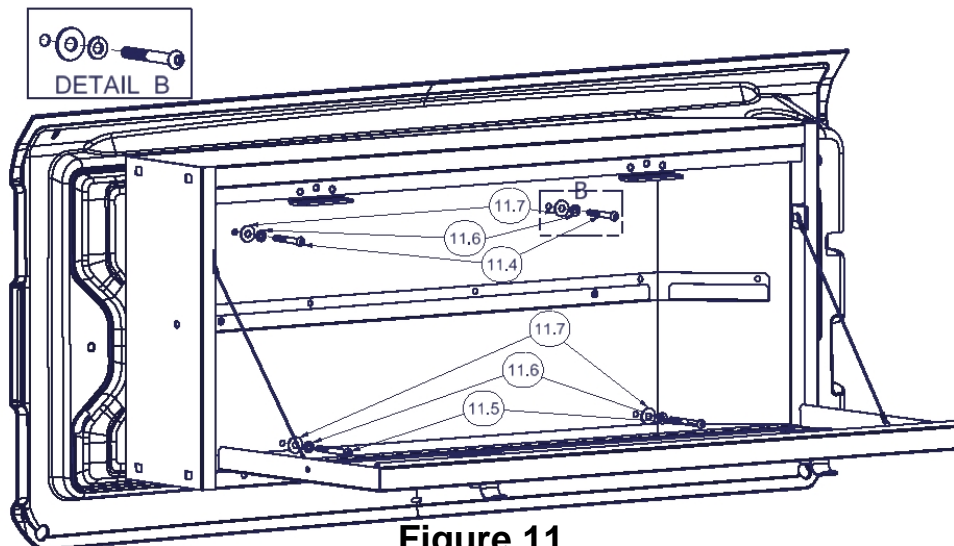


Figure 11

15. Tighten mounting hardware to 8 ft-lbs(10 N-m).

16. Install the removable shelves (#8 and #9) by placing the short flanges into the slotted rail that lines the back of the Lockbox. The (2) #11.8 Screws may then be installed and tightened to hold the trays in place during travel. See Figure 12.

Caution: Overtightening of the #11.8 Screws will spread the slot and make it less effective for retaining the shelves in future installations.

NOTE: To remove shelf/shelves loosen the #11.8 Screw and lift shelf out of slot.

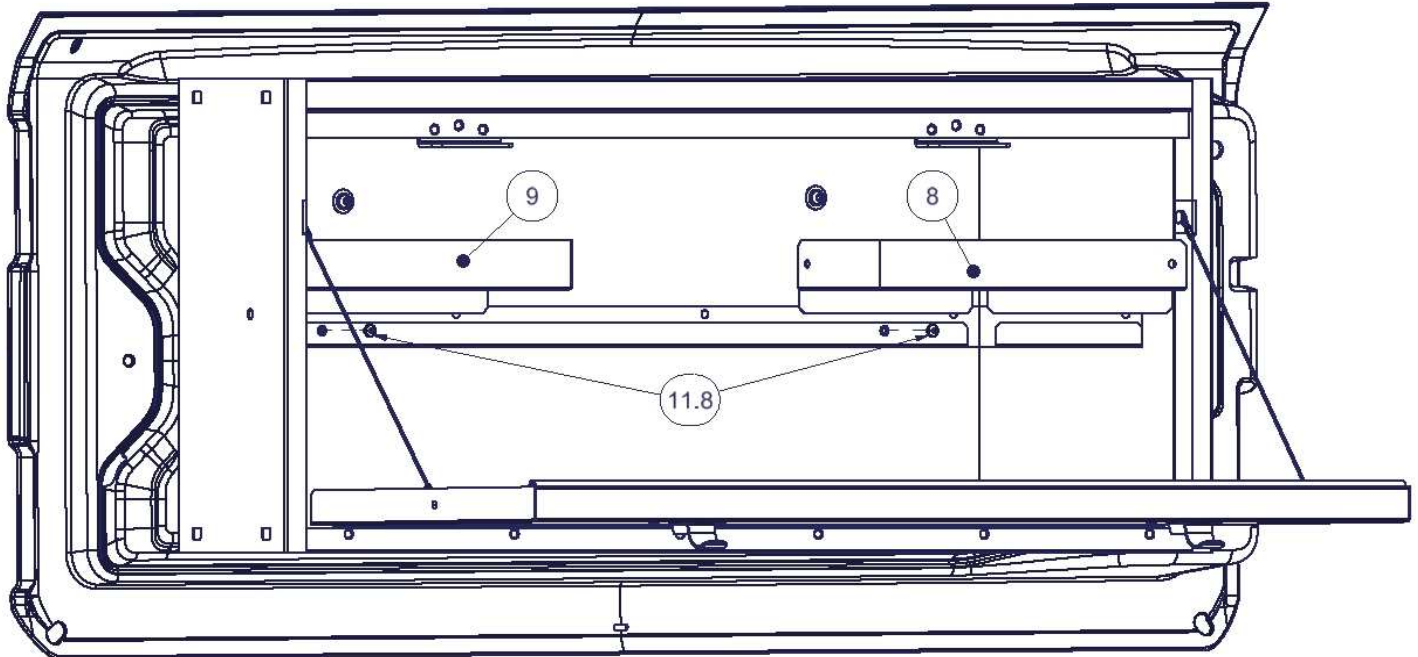


Figure 12

CAUTION: Lid may be used as a table but should not be loaded beyond 40lbs (18 kg), replacement cables are available from Tuffy Security Products.