



FALCON SHOCKS

JEEP JK WRANGLER MONOTUBE

QUICK START GUIDE

Every aspect of vehicle dynamics must be considered in developing a properly engineered suspension system to ensure predictable handling and a smooth ride. This includes correct suspension geometry as well as properly matching the shock's compression and rebound to the spring rate.

Falcon Shocks went back to the drawing board to engineer brand-new shock absorber systems that are properly matched to the factory spring rate resulting in a sportier ride with better control and handling without sacrificing ride quality. Our in-house engineering experts have invested hundreds of hours in dyno verified – as well as real world on and off-road driving – shock tuning to deliver optimal results. Results that can be felt in a “seat-of-the-pants” drive.

All Falcon Shocks are designed, engineered, and built with state-of-the-art methods including CAD designs, finite element analysis (FEA), in-house lab simulation, and real-world street and trail testing.

For more information regarding Falcon Shocks installation view the Video Installation Guide found on: <https://www.falconshocks.com/videos>



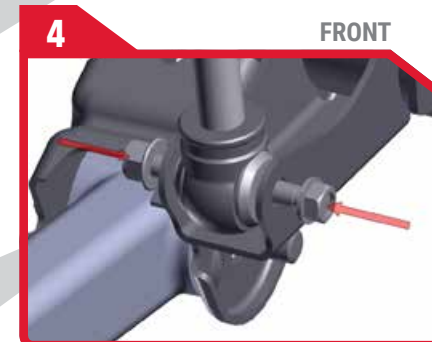
- 1 Remove the front factory shocks.
- 2 Install the tab, bushing, and flat bottom washer before inserting the stud into the shock bucket.



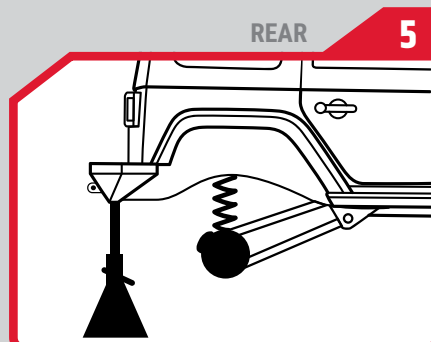
- 3 Place the bushing, washer and nut on top.
- 4 Tighten the nut until it won't turn anymore (or 15 ft. lbs.)



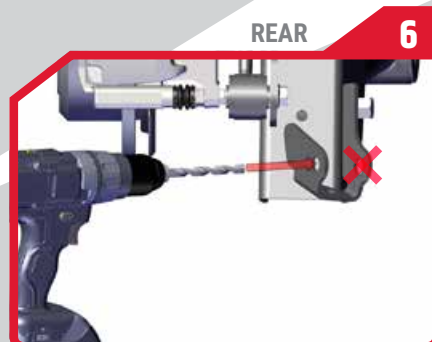
- 5 Ensure the tab button is seated before tightening the nut.
- 6 Keep the tab centered. If the tab rubs on the shock bucket, then the tab can squeak.



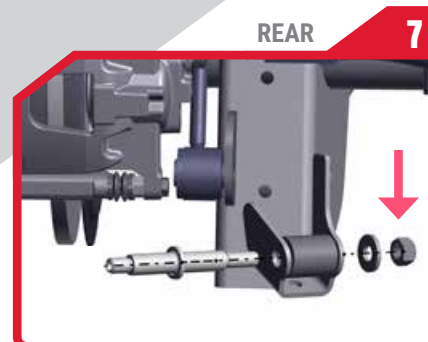
- 7 Use the factory hardware to install the lower eyelet.
- 8 Torque to 40 ft. lbs.



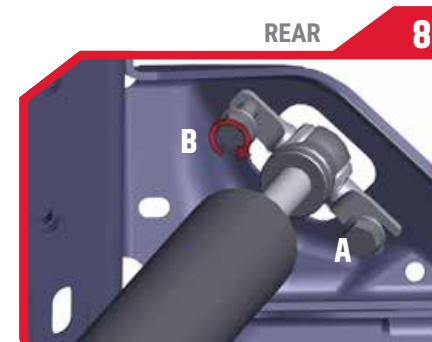
- 9 With the rear suspension at full droop remove the rear tires, and factory shocks.



- 10 Drill only the outside tab. Use a 5/8" drill bit.



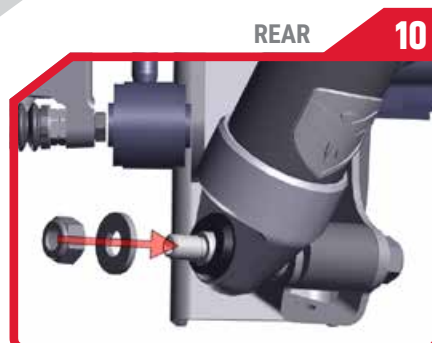
- 11 Install the spacer, stud and hardware and torque to 40 ft. lbs.
- 12 Use an 18mm wrench and 6mm hex key to prevent the stud from rotating.



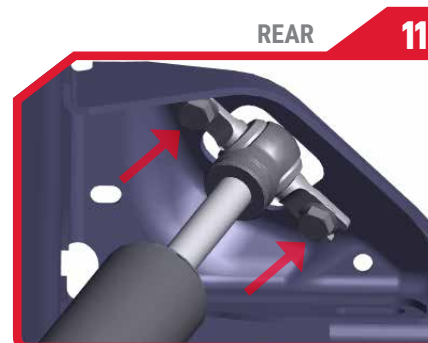
- 13 A) Loosely install one bolt. Slide on slotted end of bar pin.
- 14 B) Loosely install remaining bolt.



- 15 Cover the stud and the inside of the lower bushing with grease.
- 16 Slide the shock all the way onto the stud.



- 17 Install the provided hardware and torque to 40 ft. lbs.



- 18 Torque both top bolts to 30 ft. lbs.

NOTES



RED LINE FULL SYNTHETIC OIL HAS A HIGH VISCOSITY INDEX OF 540 FOR SUPERIOR ALL-WEATHER PERFORMANCE.



HAND WASH WITH SOAP AND WATER FOR CLEANING. DO NOT CLEAN WITH ACIDS.



3 YEAR WARRANTY TO BE FREE OF DEFECTS AND WORKMANSHIP. REPAIR OR REPLACE AT NO COST.